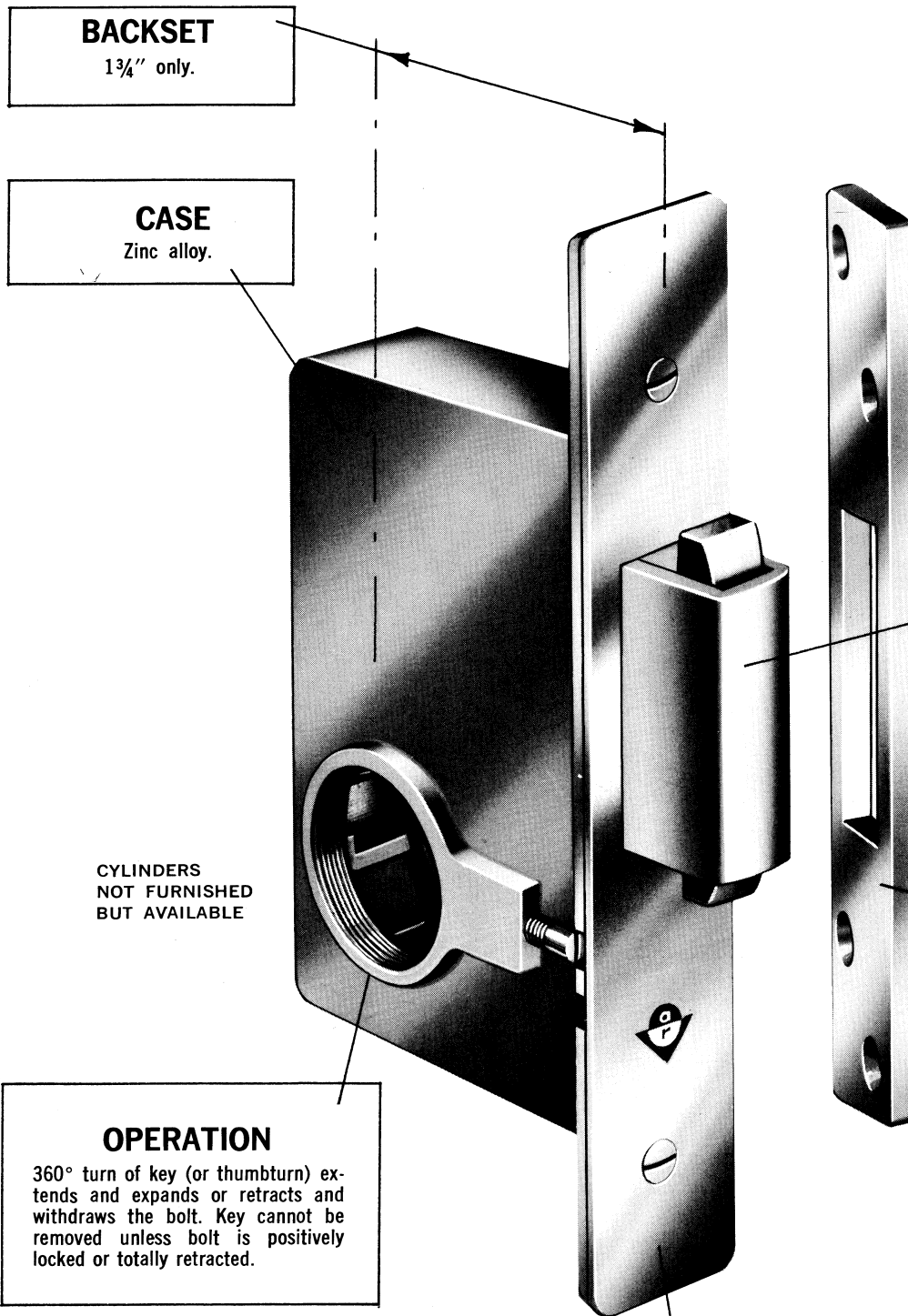


FUNCTION:

A heavy-duty deadlock for heavy-duty metal or wood sliding doors, the 2331 throws a massive brass bolt into its strike, then expands two stainless steel dogs to secure the door. A single turn of key extends and expands or retracts and withdraws the bolt. Operates with standard mortise cylinder (standard cam) or with standard mortise cylinder type thumbturn. There is no latch action.

OPTIONS:

Specify trim finish: US3 Polished Brass (605), US10 Dull Bronze (612), US26 Bright Chrome (625) or US26D Satin Chrome (626).



BACKSET
1 3/4" only.

CASE
Zinc alloy.

CYLINDERS
NOT FURNISHED
BUT AVAILABLE

BOLT
1/2" x 1 1/2". Throw: 3/4" horizontally,
with 1 1/2" expansion above and be-
low main bolt. Brass with stainless
steel dogs.

STRIKE
1/8" x 1" x 4 1/16" with 5/8" x 1 5/8"
opening. Brass. Four-screw mounting.
Trim finish same as faceplate.

OPERATION
360° turn of key (or thumbturn) ex-
tends and expands or retracts and
withdraws the bolt. Key cannot be
removed unless bolt is positively
locked or totally retracted.

ARMOR FACEPLATE
Flat. 1' x 5 3/4". Brass. Specify trim
finish US3 (605), US10 (612), US26
(625) or US26D (626).

STANDARD PACKAGE
Boxed individually with strike and
wood screws for mounting lock and
strike. Shipping weight: 2 lbs.

 Trillium Architectural Products Ltd.
52 Prince Andrew Place
Toronto, Ontario, Canada, M3C 2H4
Phone 1-888-858-5866
Fax 416-391-5065
www.trilliumarchitectural.com

Product Description: 2331 Deadlock for Sliding Doors

Manufacturer: Adams Rite Manufacturing Company

Revision Date: Jun 12, 2002

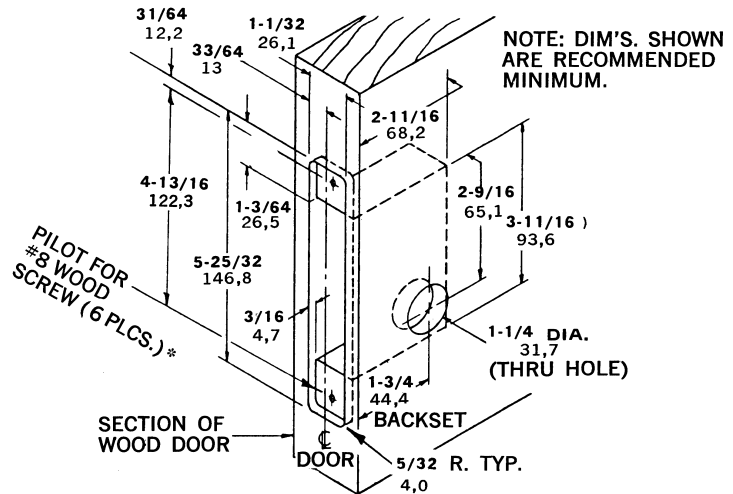
2331 DEADLOCK

DIMENSIONS

Nominal, subject to tolerance extremes.

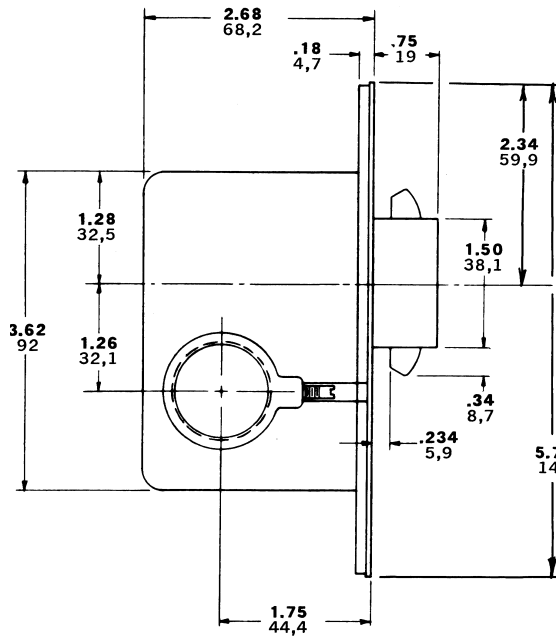
INCHES
MILLIMETERS

INSTALLATION

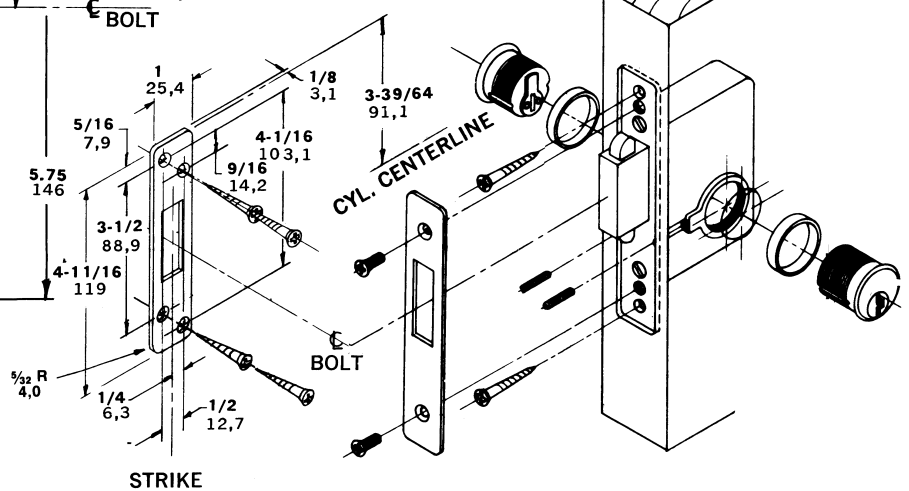


NOTE: DIM'S. SHOWN ARE RECOMMENDED MINIMUM.

DOOR PREPARATION



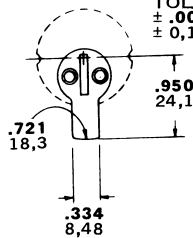
* TAP FOR 8-32 MACHINE SCREWS FOR METAL



LOCK AND CYLINDER INSTALLATION

CYLINDER CAM

TOLERANCE:
± .005
± 0,13



2331 Deadlocks are operable by any standard 1 5/32" diameter mortise cylinder with standard cam dimensions as shown. Cylinders with such cams can be readily obtained from most cylinder manufacturers.



Trillium Architectural Products Ltd.
52 Prince Andrew Place
Toronto, Ontario, Canada, M3C 2H4
Phone 1-888-858-5866
Fax 416-391-5065
www.trilliumarchitectural.com

Product Description: 2331 Deadlock for Sliding Doors

Manufacturer: Adams Rite Manufacturing Company

Revision Date: Jun 12, 2002