

## CYL. BACKSET

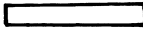
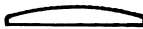
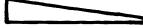
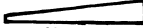
1½" only.

## ARMORED FACEPLATE

1¼" x 8"

Standard finish: US28 Satin aluminum. Consult factory about special finishes.

Specify FACE SHAPE by fourth digit in catalog number:

FLAT MS1850SNSI-050		24-0226-020
RADIUS MS1851SNSI-050		24-0226-120
LEFT BEVEL MS1852SNSI-055		24-0226-220
RIGHT BEVEL MS1852SNSI-056		24-0226-320

## BOLT

5/8" x 13/8" with 13/16" throw. Five-ply laminated stainless steel with Alumina-Ceramic core defeats any hacksaw attack (including so-called super hacksaws) while hook shape repels prybar attempts to "spread" door from its jamb or lift it off its track.

## STRIKE

See reverse of this page for dimensions of simple strike slot which can be cut in metal jamb. (For other strikes, see catalog numbers 4000, 4001 and MS4002.)

## FUNCTION:

For hollow metal or wood sliding doors prepared for hardware according to the specifications of the American National Standards Institute, this M.S.® deadlock provides maximum security and ease of installation. Its standard 1½" backset dimension provides adequate clearance for the deep jamb "pocket" of many commercial and industrial entrances. Also useful for swinging doors closing against jambs too shallow for the 1¾" throw of the MS1850SNSI swinging door dead lock.

## OPTIONS:

Choice of faceplate finish and shape (flat, radius or bevel cross section to match door nose) must be specified.

## OPERATION

360° turn of key (or thumbturn) throws or retracts the counterbalanced bolt. Key can be removed only when bolt is in a positively locked or unlocked position. Lock accepts any standard 1½" dia. mortise cylinder or thumbturn from either or both sides. Cylinder must have M.S. cam. (See catalog SW-98.)

## CASE

Steel with corrosion-resistant plating. 1" x 6" x 2¼".

## STANDARD PACKAGE

Individually boxed with machine screws for mounting. Cylinders and/or thumb-turn available at extra cost. Shipping weight: 1½ lbs. Also available in a 20 unit pack for volume users.

Cylinders not furnished but available.  
See page SW-97



Trillium Architectural Products Ltd.  
52 Prince Andrew Place  
Toronto, Ontario, Canada, M3C 2H4  
Phone 1-888-858-5866  
Fax 416-391-5065  
www.trilliumarchitectural.com

Product Description: MS1850SNSI-050 Sliding Door Lock

Manufacturer: Adams Rite Manufacturing Company

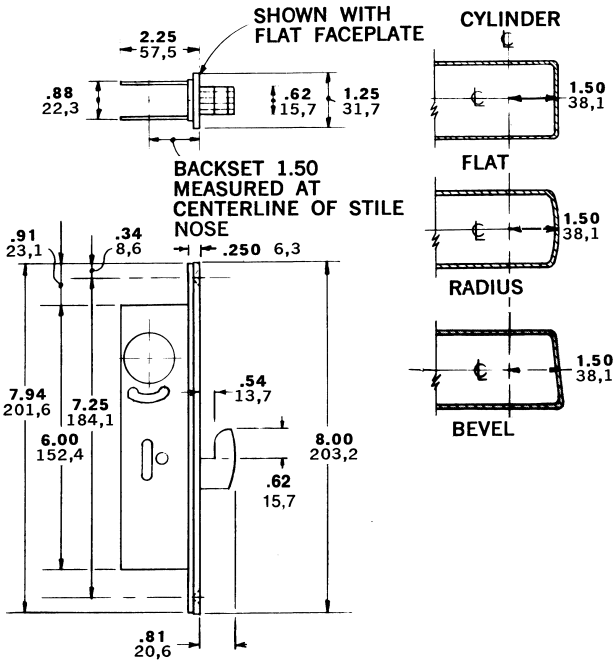
Revision Date: Jun 12, 2002

# MS1850SNSI-050 DEADLOCKS

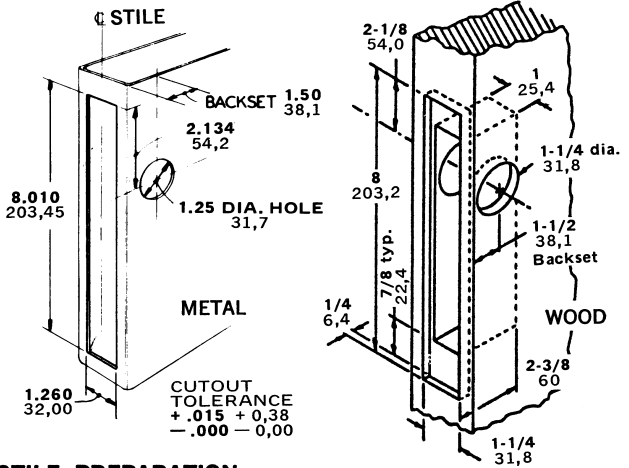
## DIMENSIONS

INCHES  
MILLIMETERS

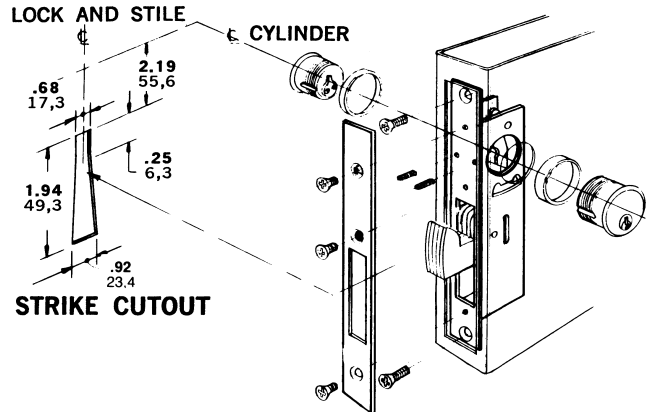
Nominal, subject to tolerance extremes.



## INSTALLATION



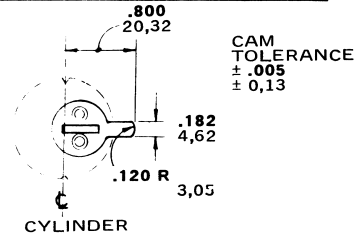
### STILE PREPARATION



### LOCK AND CYLINDER INSTALLATION

See Page SW-100 for Lock Mounting Methods.

## CYLINDER CAM



MS1850SNSI-050 Series Locks are operable by any standard  $1\frac{5}{32}$ " diameter mortise cylinder with special M.S.® cam dimensioned as above. Cylinders with M.S. cams can be readily obtained from most cylinder manufacturers.

See Page SW-98 for Cylinder Make and Trim Ring information.



Trillium Architectural Products Ltd.  
52 Prince Andrew Place  
Toronto, Ontario, Canada, M3C 2H4  
Phone 1-888-858-5866  
Fax 416-391-5065  
www.trilliumarchitectural.com

Product Description: MS1850SNSI-050 Sliding Door Lock

Manufacturer: Adams Rite Manufacturing Company

Revision Date: Jun 12, 2002