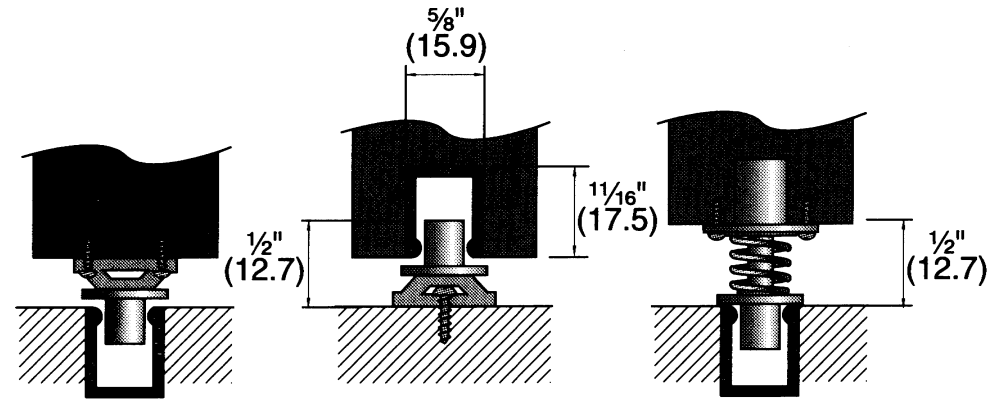
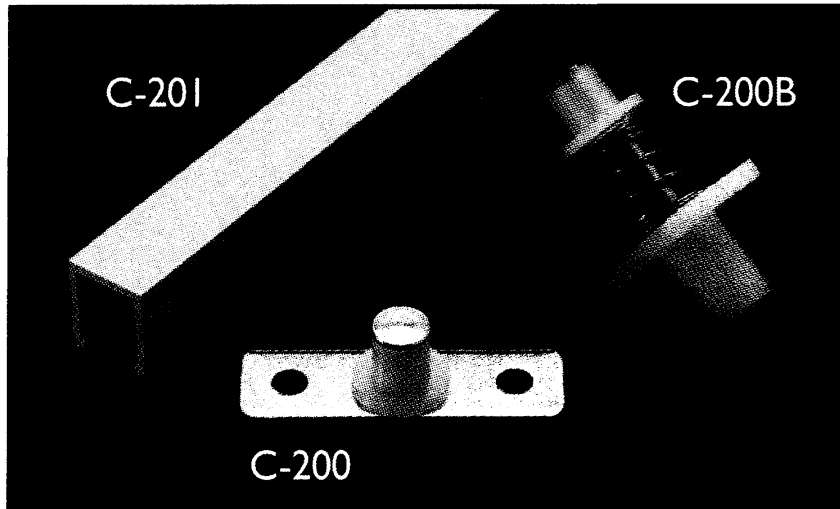


C-200 Guide Channel and Guides

C-200 Guide used with C-201 Channel ensures years of sliding door stability. C-201 Channel may be recessed in the floor or door, as needed. C-200B Spring loaded guide provides constant guide contact on uneven floor conditions.



Illustrations show alternative methods for installing C-200 bottom door guides and aluminum channel



Trillium Architectural Products Ltd.
52 Prince Andrew Place
Toronto, Ontario, Canada, M3C 2H4
Phone 1-888-858-5866
Fax 416-391-5065
www.trilliumarchitectural.com

Product Description: C-200 and C-200B Guides and C-201 Guide Track

Manufacturer: KN Crowder Manufacturing Inc.

Revision Date: Jun 12, 2002