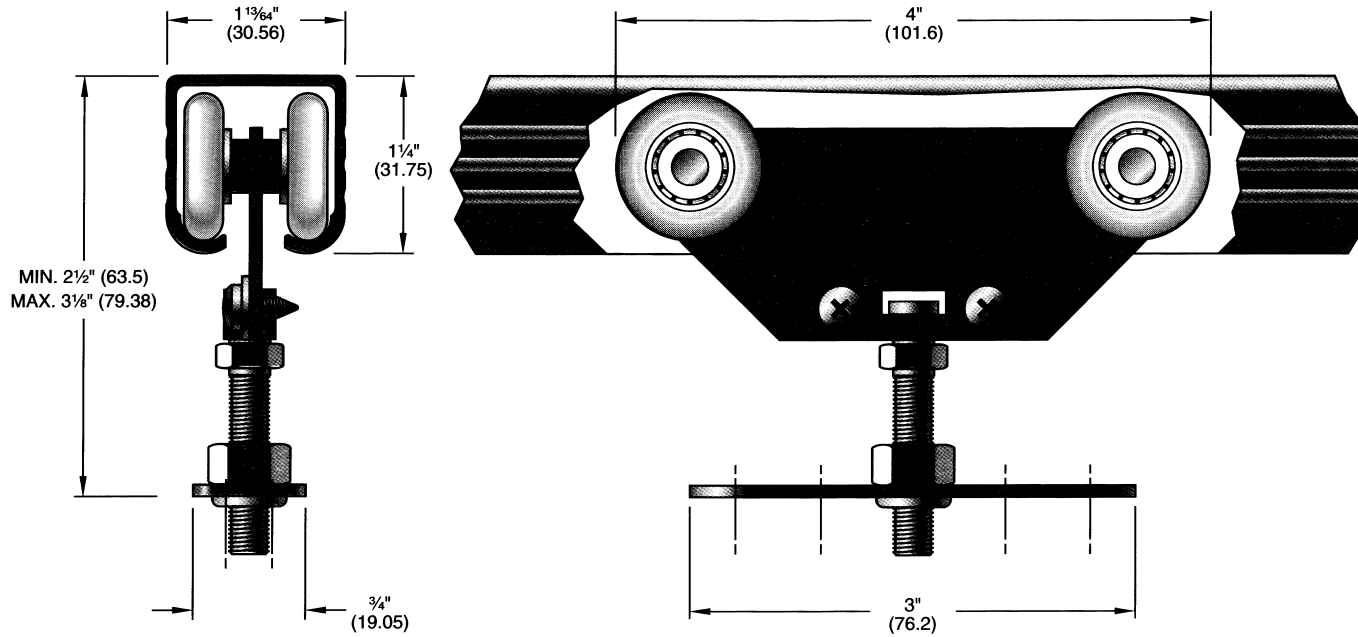


C-400 Detail:



For Single & Bi-Parting, Bi-Passing, Pocket or Face Mounted Doors.

This series provides the ultimate in smooth performance. Eight ball bearing nylon tire wheels per door.

Features vertical adjustment by threaded door top plate and lock-nut. Ideal for mirror covered and solid core doors.

Can be mounted side by side for by-pass applications.

Extruded Aluminum Track, 6063T5 Alloy weighing 0.310 lbs. per foot.

Load Capacity 125 lbs. (2 hangers).



Trillium Architectural Products Ltd.
 52 Prince Andrew Place
 Toronto, Ontario, Canada, M3C 2H4
 Phone 1-888-858-5866
 Fax 416-391-5065
 www.trilliumarchitectural.com

Product Description: C-400 Track and Hangers

Manufacturer: KN Crowder Manufacturing Inc.

Revision Date: Jun 12, 2002