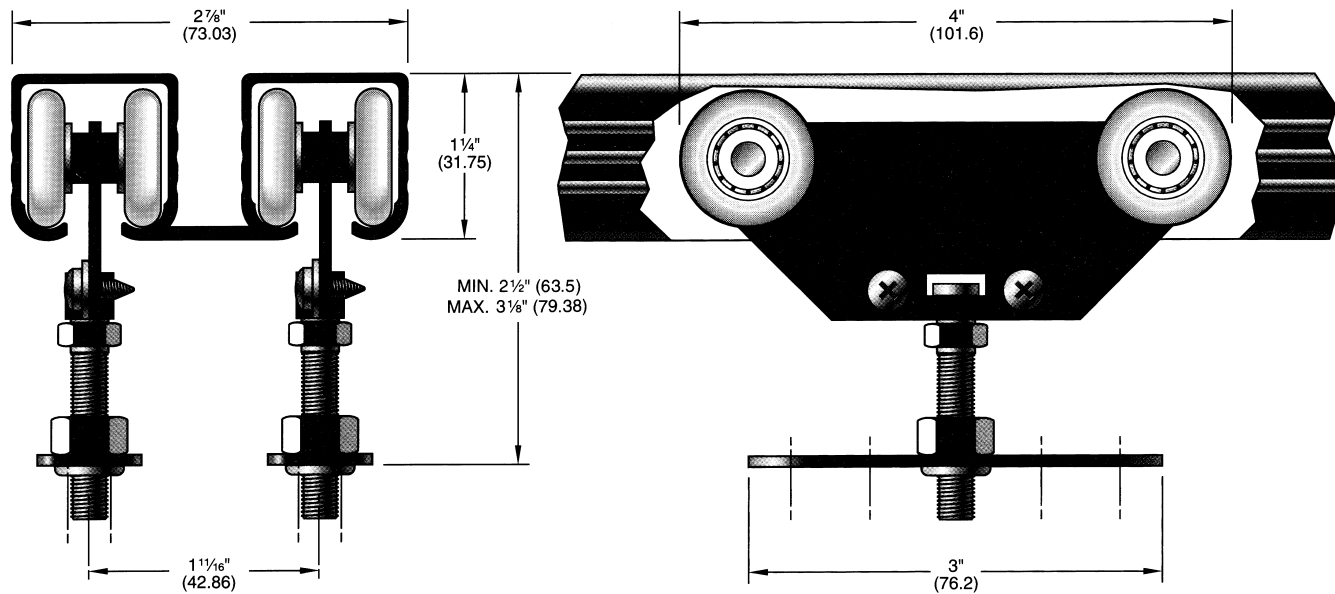


C-500 Detail:



For By-Passing Heavy Duty Doors


This series provides the ultimate in smooth performance. Eight ball bearing nylon tire wheels per door.

Features vertical adjustment by threaded door top plate and lock-nut. Ideal for mirror covered and solid core doors.

For 1-3/4" doors, offset top plates from centre of door.

Extruded Aluminum Track, 6063T5 Alloy weighing 0.697 lbs. per foot.

Load capacity 125 lbs. (2 hangers)

 <p>Trillium Architectural Products Ltd. 52 Prince Andrew Place Toronto, Ontario, Canada, M3C 2H4 Phone 1-888-858-5866 Fax 416-391-5065 www.trilliumarchitectural.com</p>	Product Description:	C-500 Track and Hangers
	Manufacturer:	KN Crowder Manufacturing Inc.
	Revision Date:	Jun 12, 2002