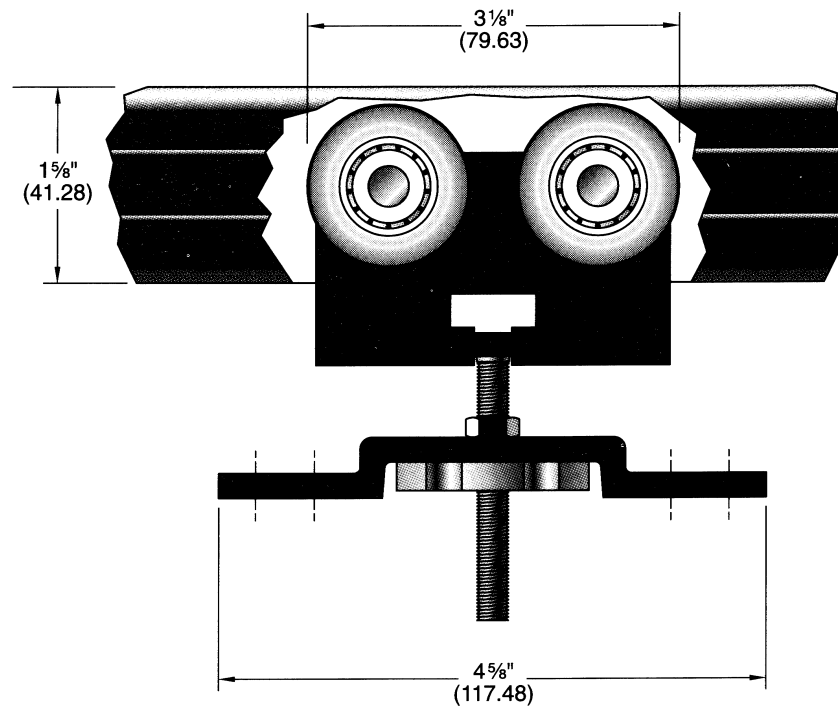
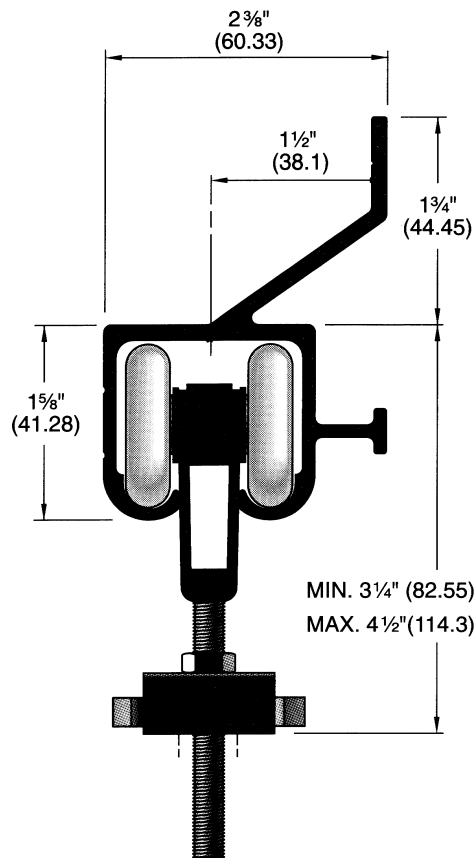


C-911 Hanger w/ C-108 Track Detail

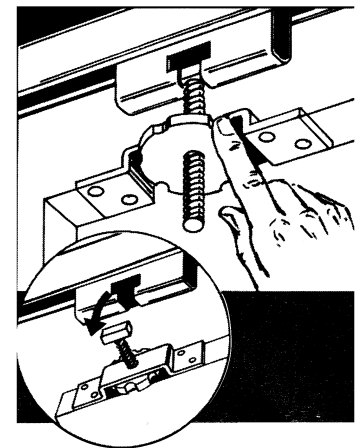


"Spinwheel" Quick-Release Hanger

An essential safety feature for Nursing Homes and Hospitals. The "Spinwheel Hanger" permits fast and easy door removal, from the outside regardless of door blockage. (eg: when a patient in distress in a washroom requires immediate assistance.)

Leveling and height adjustment can be accomplished by one person during door installation without the benefit of tools. Minimum clearance of $\frac{1}{2}$ " required between door and fascia to permit disengagement.

Load capacity 200 lbs. (2 hangers)



Trillium Architectural Products Ltd.
52 Prince Andrew Place
Toronto, Ontario, Canada, M3C 2H4
Phone 1-888-858-5866
Fax 416-391-5065
www.trilliumarchitectural.com

Product Description: C-911 "Spinwheel" Quick-Release Hangers w/ C-108 Sliding Track

Manufacturer: KN Crowder Manufacturing Inc.

Revision Date: Jun 12, 2002