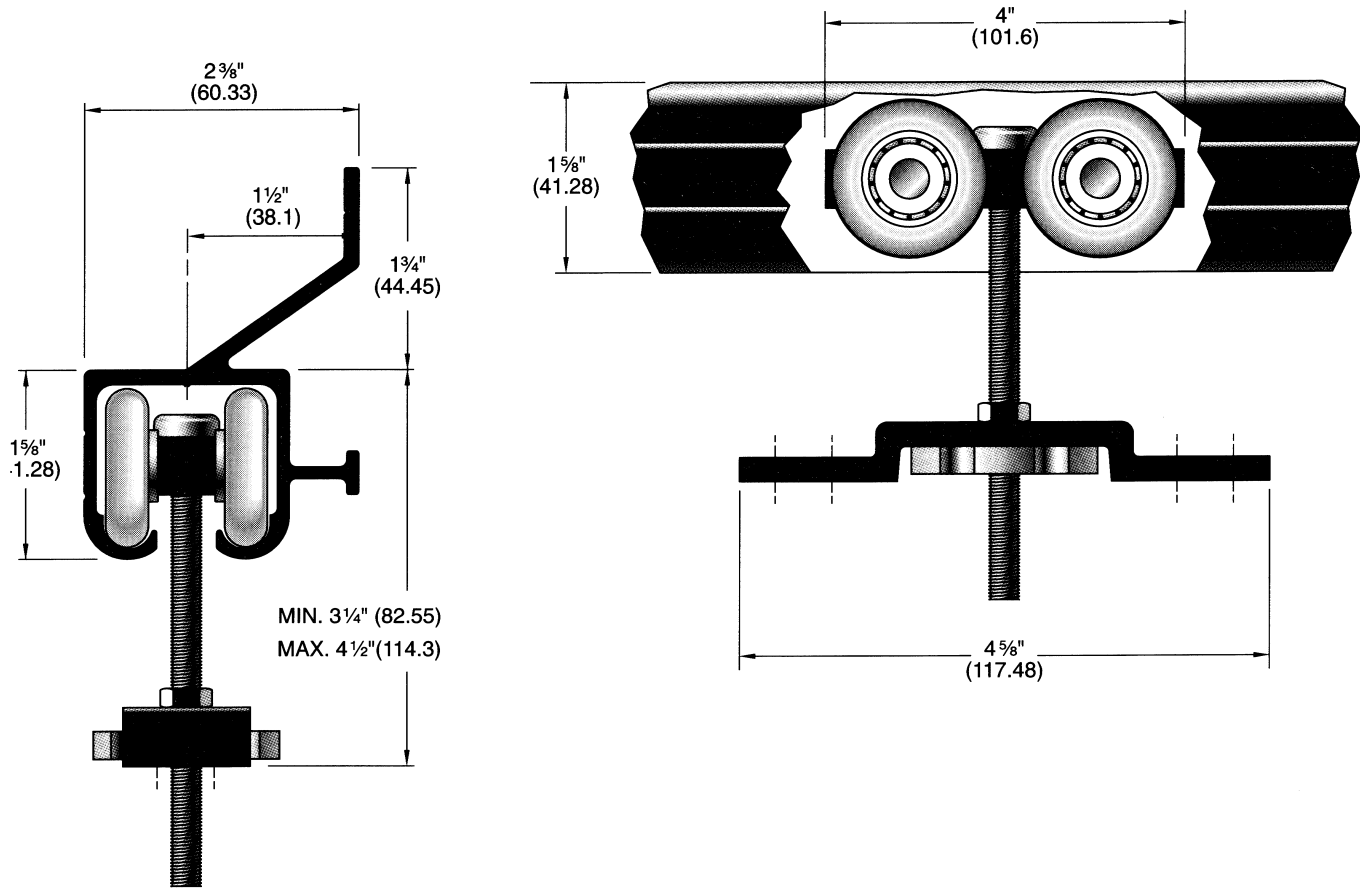


**C-994 Hanger w/ C-108 Track Detail**



Steel Hanger with "Spinwheel" adjuster.  
 Four ball bearing nylon tire wheels on solid, machined steel body, c/w 3/8" dia. bolt with 1-1/4" adjustment range.

Load capacity 350 lbs. (2 hangers)



Trillium Architectural Products Ltd.  
 52 Prince Andrew Place  
 Toronto, Ontario, Canada, M3C 2H4  
 Phone 1-888-858-5866  
 Fax 416-391-5065  
 www.trilliumarchitectural.com

Product Description:	C-944 "Spinwheel" Hangers w/ C-108 Sliding Track
Manufacturer:	KN Crowder Manufacturing Inc.
Revision Date:	Jun 12, 2002